

## Idaho Walk Bike Alliance testimony on HB528

**FedEx.** Shipping Tracking Design & Print Locations Support Sign Up or Log In

merchandise and groceries.

### Safety and specs

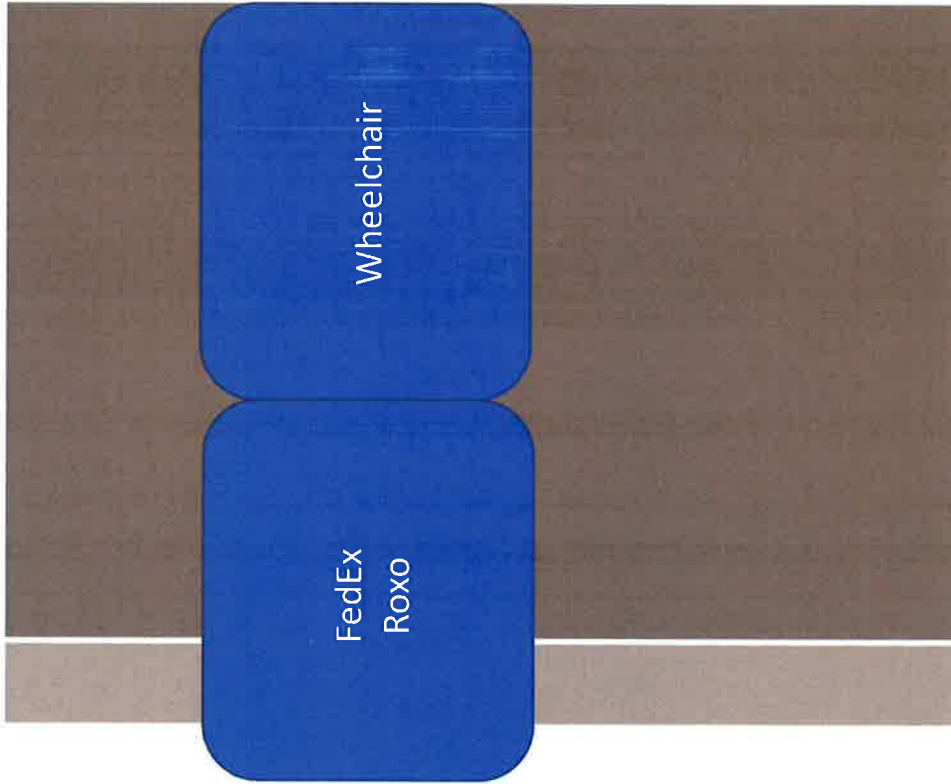
- Zero-emissions, battery powered
- 450 lbs. approx. weight
- 100 lbs. approx. capacity
- Distinctive profile is easily visible to pedestrians, children, animals and drivers
- Dimensions: 51.50" Height x 39" Length x 29" Width
- iBot base stabilization technology keeps cargo level



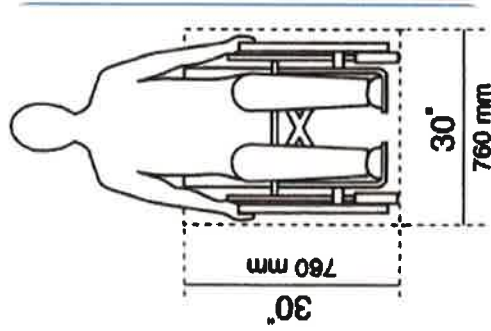
<https://www.fedex.com/en-us/innovation/roxo-delivery-robot.html>



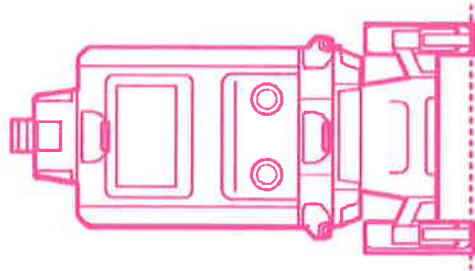
6" curb  
48" wide sidewalk



Person in Wheelchair – 30"

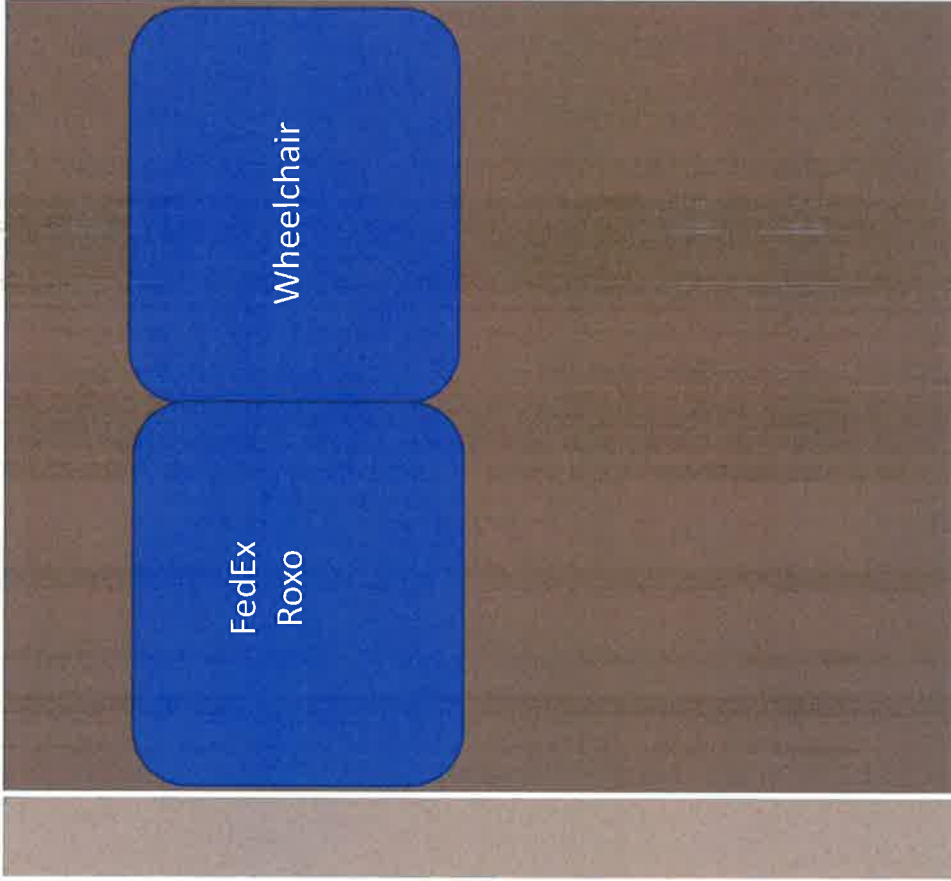


FedEx Roxo – 29"

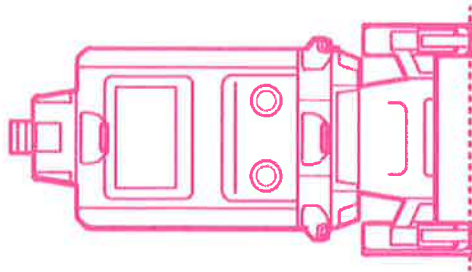


6" curb

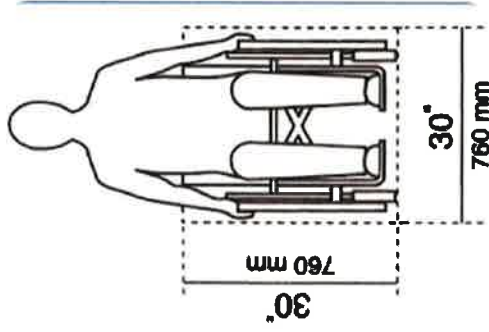
60" wide sidewalk



FedEx Roxo – 29"



Person in Wheelchair – 30"



## Walkways: Functional Width

- Sidewalks directly behind curb and retaining walls/ barracades reduce functional width by 1.5 feet each side.
  - FHWA Office of Safety & Highway Capacity Manual

